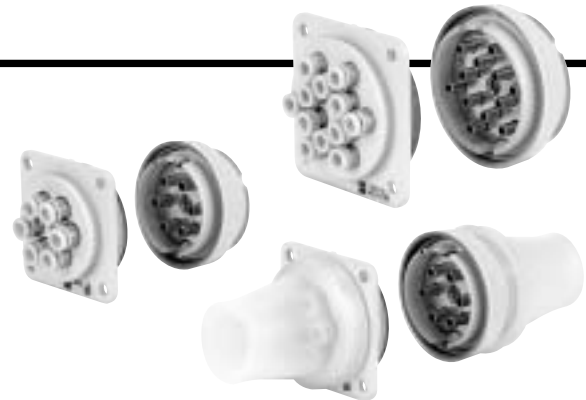


## Multi-Connector with One-Touch Fittings Series DMK

Multi-connector with One-touch fittings provide quick and easy installation and removal of multiple tubing (nylon, soft nylon, and polyurethane) when connecting to a panel of a device.

A unique positioning mechanism allows accurate installation and removal of tubing with ease even in a hard-to-see locations, while preventing piping errors when reconnecting.



### Built-in One-touch fittings

Applicable to nylon, soft nylon, and polyurethane tubes.

### Saves installation time

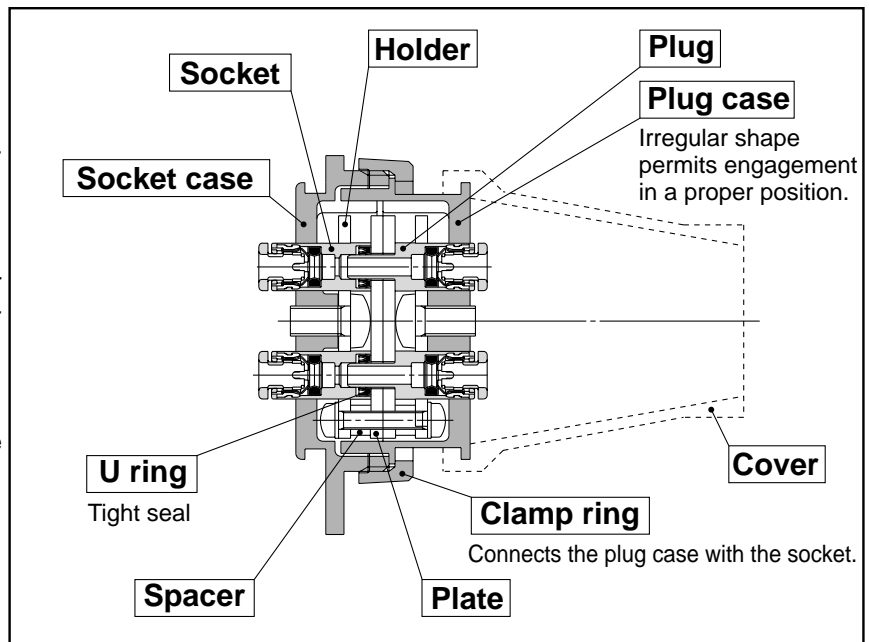
Unlike the use of multiple bulkhead unions for panel, Series DMK with built-in One-touch fittings significantly reduces the piping time.

### Secure tube connection

Tubes are easily and securely connected to the multi-connector with built-in One-touch fittings.

### Number of connecting tubes:

Two types of multi-connectors are available: 6 tubes and 12 tubes.



### Model

Number of connecting tubes	Model			Cover part no. (Optional)
	Multi-connector	Plug side only	Socket side only	
6	DMK6-23	DMK6P-23	DMK6S-23	DMK-C-6
	DMK6-04	DMK6P-04	DMK6S-04	
12	DMK12-23	DMK12P-23	DMK12S-23	DMK-C-12
	DMK12-04	DMK12P-04	DMK12S-04	

### Specifications

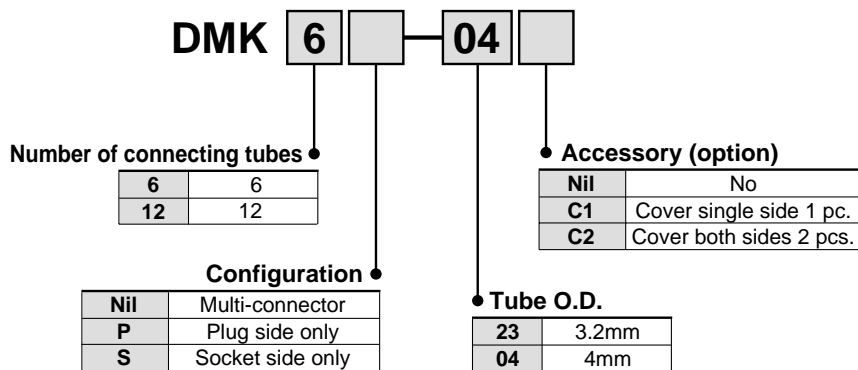
Applicable tube materials	Nylon, Soft nylon, Polyurethane
Applicable tube outside diameter (mm)	3.2, 4
Fluid	Air
Maximum operating pressure	1.0MPa
Ambient and fluid temperature	-5 to 60°C (with no condensation)

### Main Parts Material

	DMK6	DMK12
Socket case	ADC12, White half-polished finish	
Plug case		
Clamp ring		
Plate	SPCC, Chromated	
Holder	SPCC, Zinc chromated	A5052, Hard anodized
Socket	C3604BD Electroless nickel plated, POM, Stainless steel SUS304	
Plug		
U ring	NBR	
Cover	Silicon rubber	
Round head phillips screw	SWRM, Nickel plated	
Round head phillips screw with flat washer	SWRM, Zinc chromated	
Spacer	SPC, Zinc chromated	

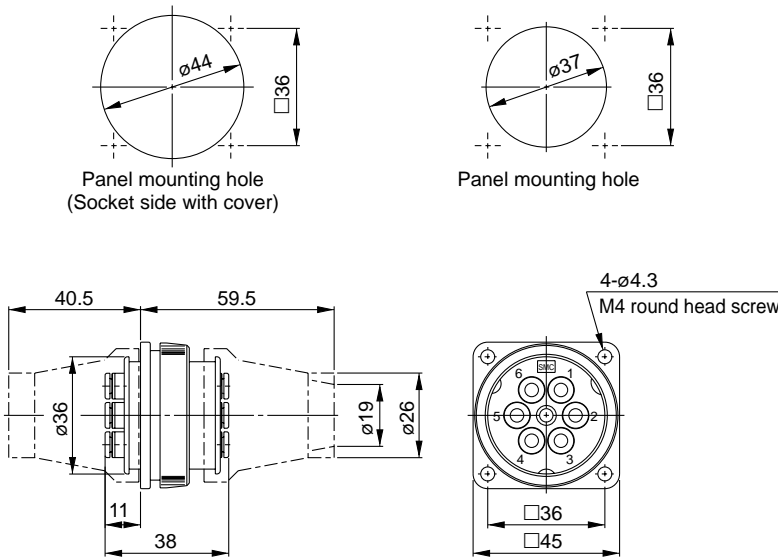
# Series DMK

## How to Order

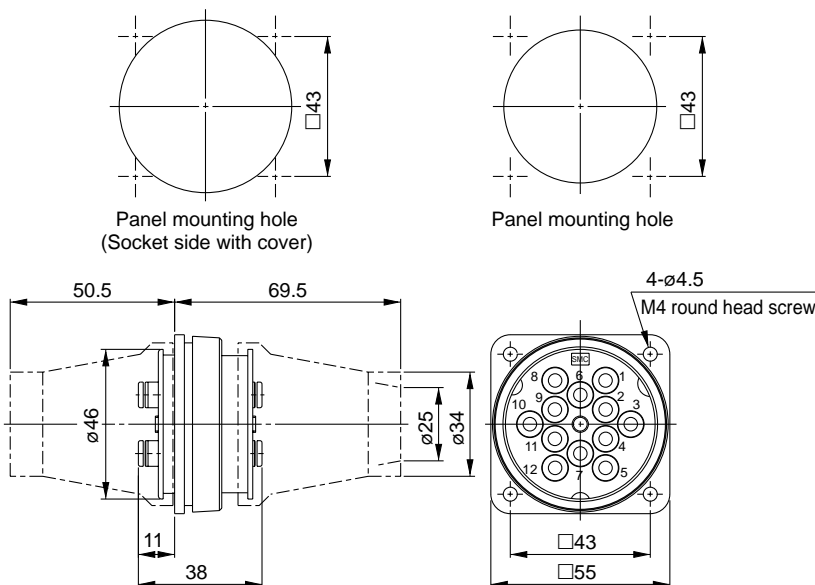


## Dimensions

### DMK6



### DMK12



## ⚠ Precautions

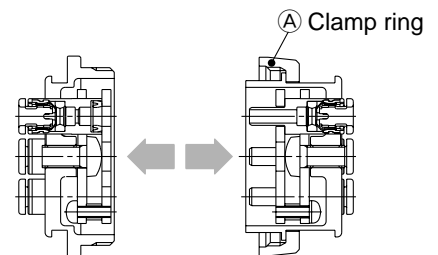
- Be sure to read before handling.
- Please consult SMC when the required specification is out of range.

## How to Use

## ⚠ Caution

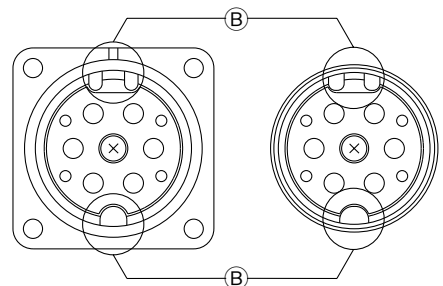
### Disassembly

- Loosen clamp ring (A) and disassemble the connector into the plug case and socket case.



### Connection

- Turn the cases while pressing them against each other until the plug case slides into the socket case at a proper position.
- Align at mark (B) of the plug and socket cases and turn them against each other to connect the two cases.
- Screw in the clamp ring to complete the connection.



### Installation of cover

- The cover can be installed on both the plug case or socket case.
- Stretch the cover to install on the cover installation latch.

